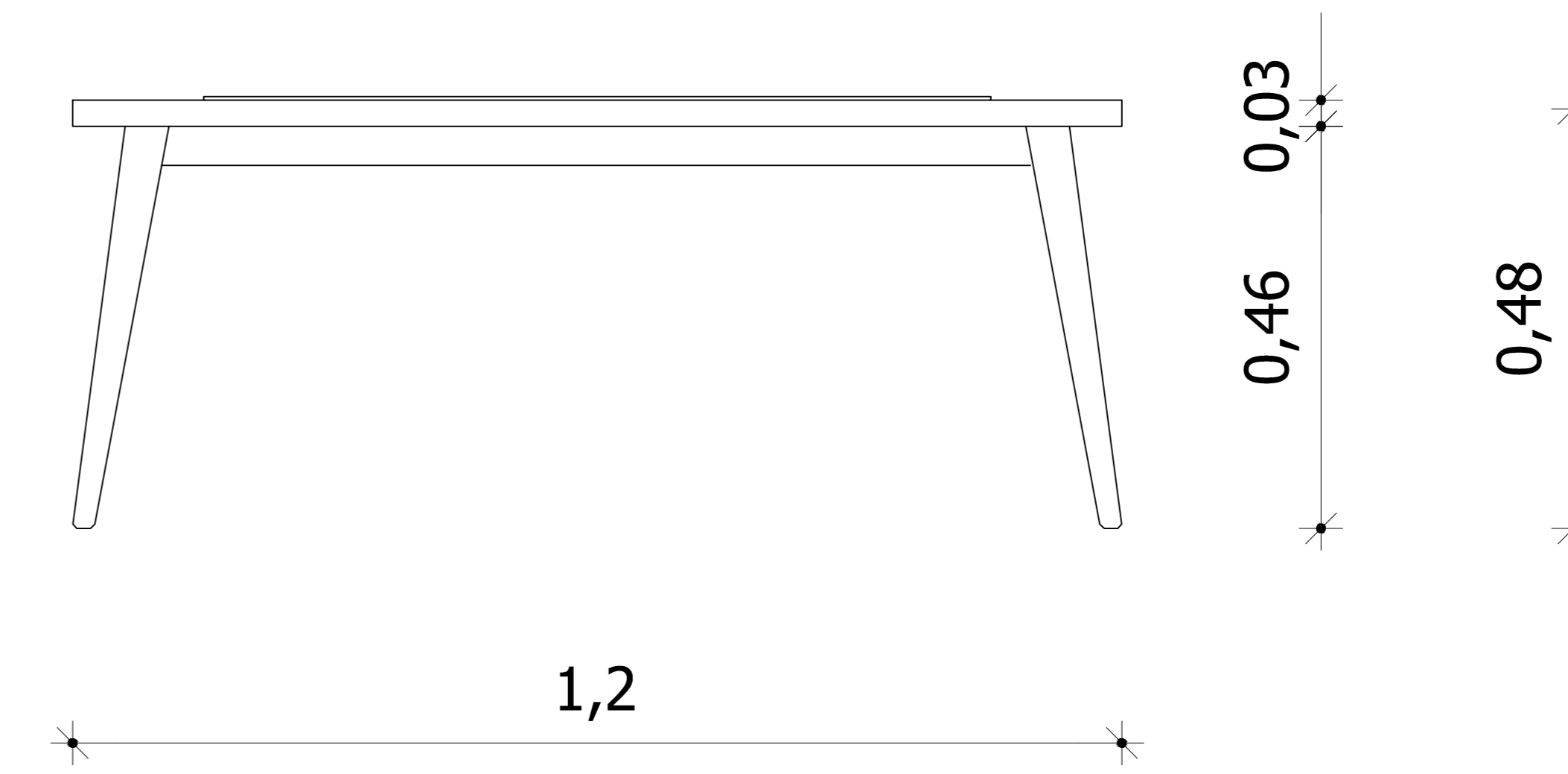
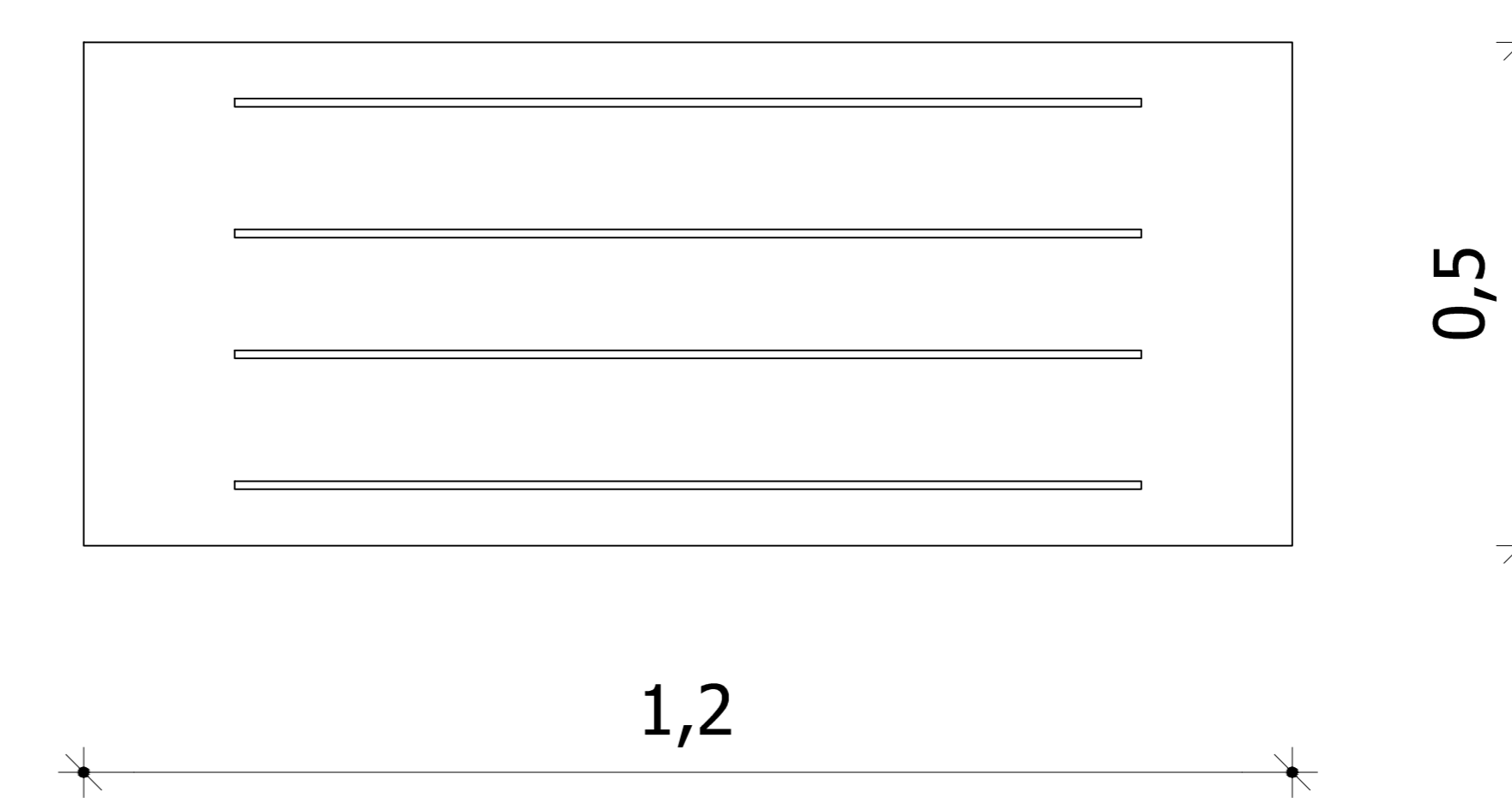


Side View



View



Plan

---

Elaia luggage rack II

designed by  
**COCO-MAT**  
sleep on nature 