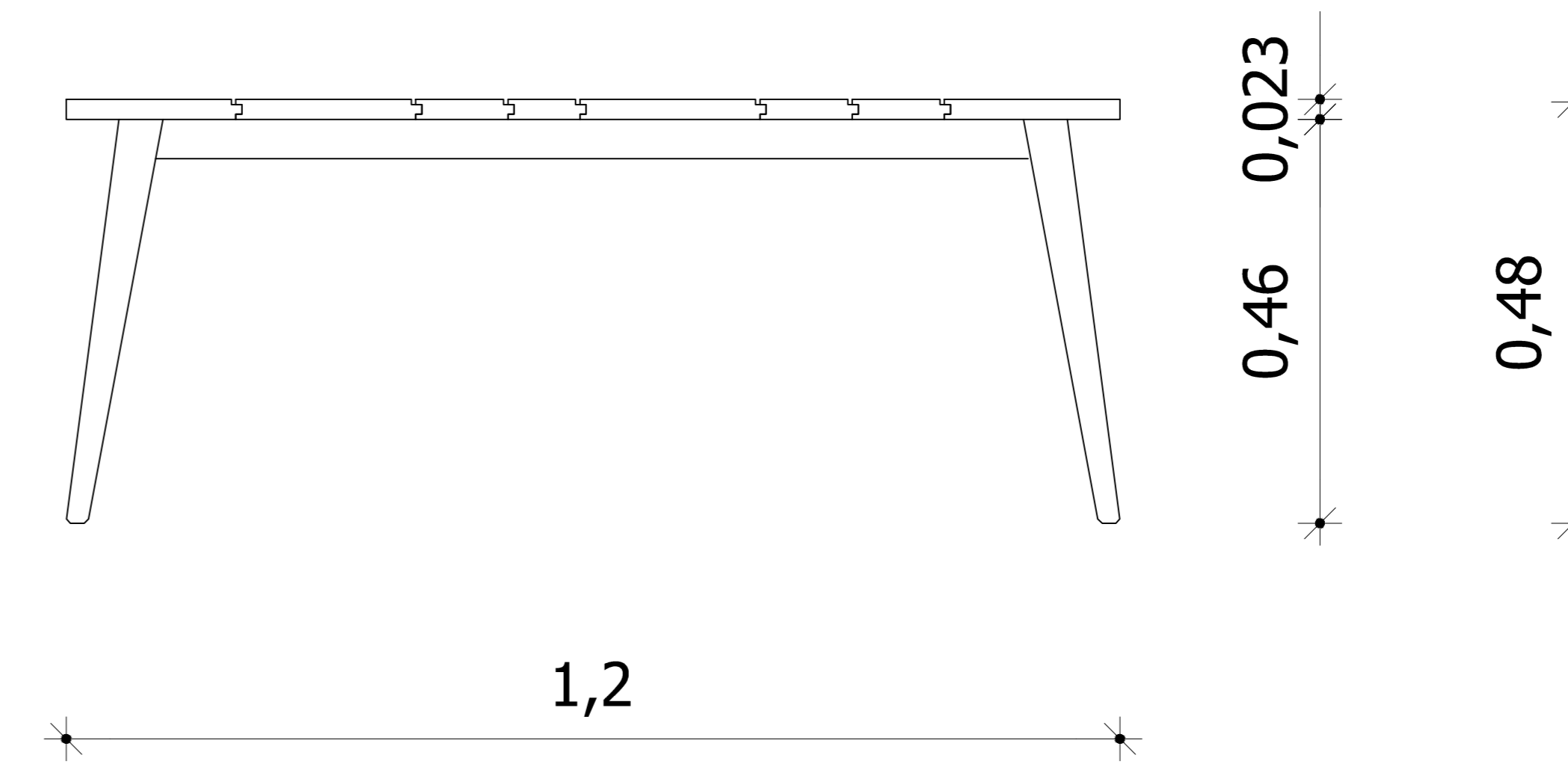
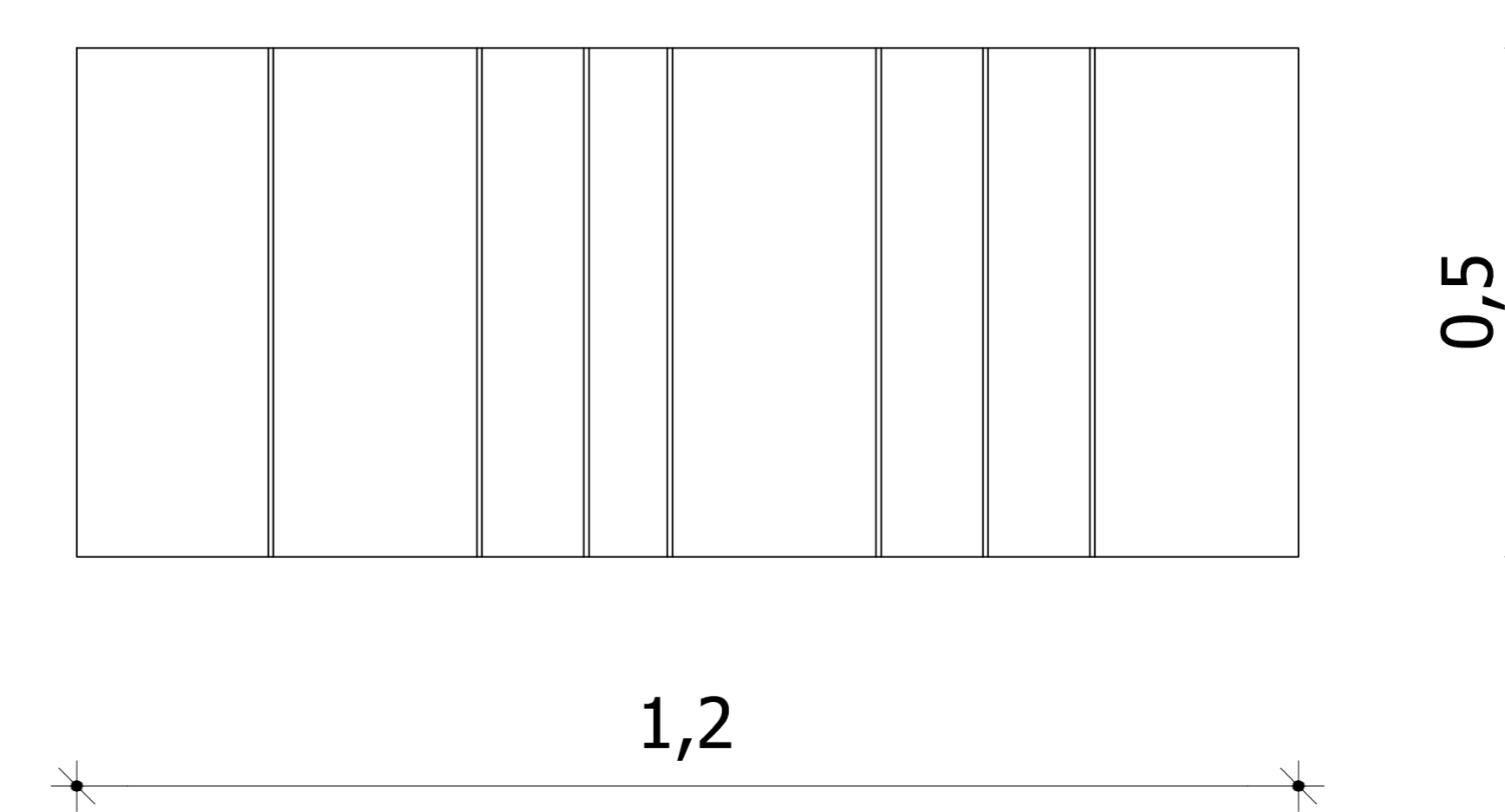


Side View



View



Plan

---

Elaia luggage rack I

designed by  
**COCO-MAT**  
sleep on nature 